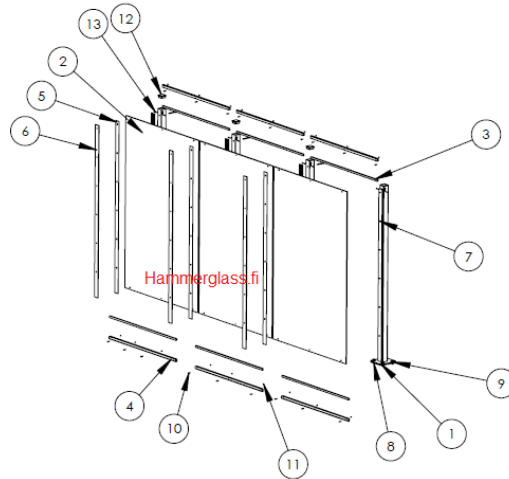


**Hammerglass melusuoja.
Periaatekuva; Hammerglass levyn
kiinnitys (levykoko 2x3 m).**



ITEM NO.	DESCRIPTION	QTY.	Material	PART NUMBER
1	pole 100x100x6 L=3100	4	galvanized steel	stolpe_mark2_CE
2	screen 12mm	3	HmG recycled 2000x3000	ruta bro-2
3	EPDM 17x28 t=2,5 L=1800	6	EPDM	kuntze 512.0127 tähtist
4	u-profile 26,5x44 t=4 L=1800	6	galvanized steel	topprofiil rev4
5	EPDM 90x3000 t=3	8	EPDM	packing_CE
6	clamping plate 90x3000 t=10	4	galvanized steel	bricka_CE
7	M6S 10x140	24	steel FZV	0931_8_10140-mattssons
8	M6M-M20	32	steel FZB	Nut-M6M-steel-M20-fzb-Butfab
9	washer M20	36	galvanized steel	FB 22x50x5 rev1
10	M6S 6x35	18	stainless steel A4	0931_8_6_35-mattssons
11	M6 nyloc	18	stainless steel A4	6924_8_6-mattssons
12	lock 100x100x1-4	4	PE	IAB 505003-100100 lock for 100x100x1-4
13	security wire CC350mm 7x19tr 3mm	4	A4 with transp. pvc	Wire_CE

Hammerglass®		Datum:	Skala:
Toleranser:	Design:	MS	Material:
			HmG 12 mm
Produkt:	Art. nr.:	Mark-2	Vikt kg:
	Fitning nr.:	Mark-2_CE	Version:
			A

Ota yhteyttä:

Hammerglass Finland

Rantakatu 10 B. 65100 Vaasa.

+358 (0)50 325 6996

anton.salmi (at) hammerglass.fi

www.hammerglass.fi